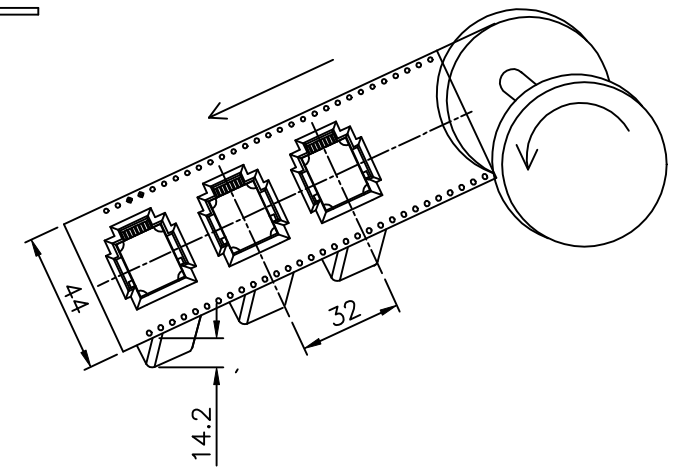
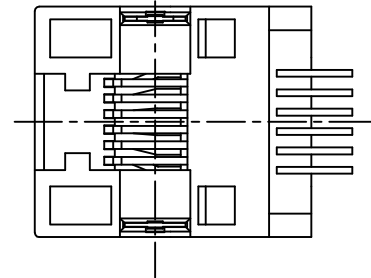
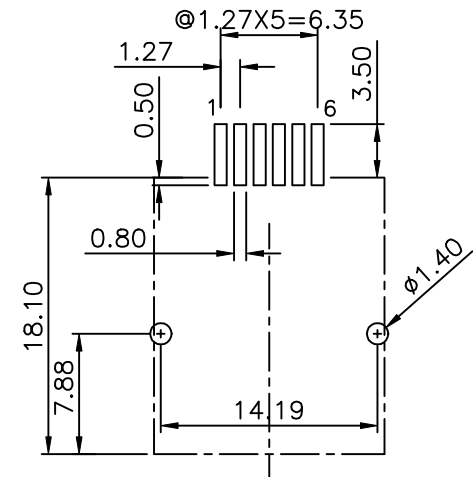
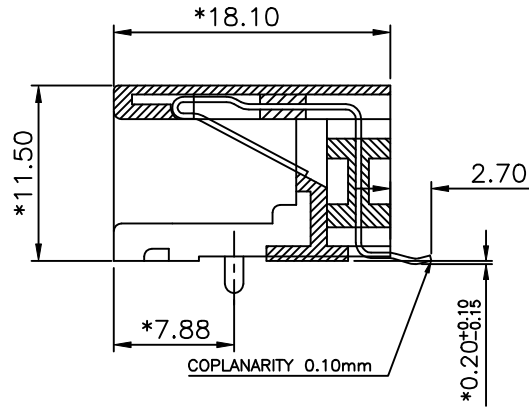
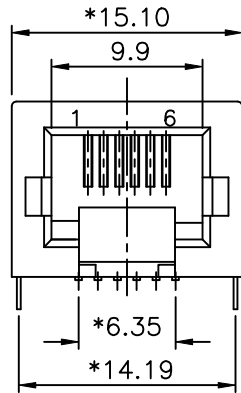


REVISION RECORD				
REV	ECO	DESCRIPTION	DRFT	CHKD



NOTES:

ELECTRICAL:

1. VOLTAGE RATING : 125 VAC RMS.
2. CURRENT RATING : 1.5 AMP.
3. CONTACT RESISTANCE : 35 MILLIOHMS MAX.
4. INSULATION RESISTANCE: 1000 MEGOHMS MIN @ 500 VDC.
5. DIELECTRIC STRENGTH : 1000 VAC RMS 60Hz, 1MIN.

MECHANICAL:

1. HOUSING MATERIAL : NYLON+30%.G.F(FR52) UL94V-0.
2. CONTACT MATERIAL : PHOSPHOR BRONZE t=0.35mm.
3. PLATING : GOLD PLATING OVER NICKEL.
4. OPERATING LIFE : 750 CYCLES MIN.
5. PCB RETENTION POST-SOLDER: 10 LBS MIN.

ENVIRONMENTAL:

1. STORAGE : -40°C TO +85°C.
2. OPERATION: -40°C TO +85°C.
3. IR REFLOW SOLDERING TEMPERATURE: 255~265°C (5~10 SECONDS)

MATES WITH MODULAR PLUG CONFORMING TO
FCC PART 68, SUBPART F.
PART NO.:E53BX-EQ05QX-L

- | | | |
|------|--------|--------|
| 4-4C | 1-3u" | 2-6u" |
| 6-6C | 3-15u" | 4-30u" |
| | 5-50u" | |

DETACHED LISTS	MM (INCH)	DFTO YICAN	DATE 06/15/05'
	TOLERANCES EXCEPT AS NOTED	CHKD SHINY	DATE 2005/08/15
	MM	MFO	DATE
	.0 ±0.20	APPV LUSHENG	DATE 2005/08/15
.00 ±0.15			
.000 ±0.075			
ANGLES ±	QT'Y :	MATERIAL :	
THIRD ANGLE PROJECTION	FINISH :	SCALE : 3:1	

FULL RISE ELECTRONIC CO., LTD			
TITLE			
SIDE ENTRY SMT JACK 6P			
DRAWING NO. GE533080-LA		SIZE	REV
/PART NO. SEE NOTE		A3	0
DO NOT SCALE DRAWING		SHEET X	OF Y